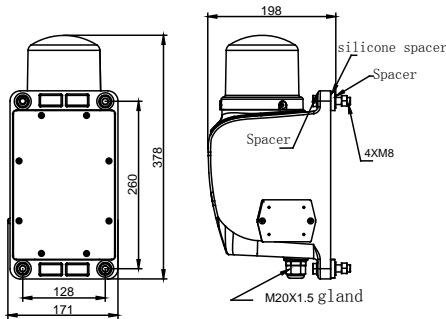
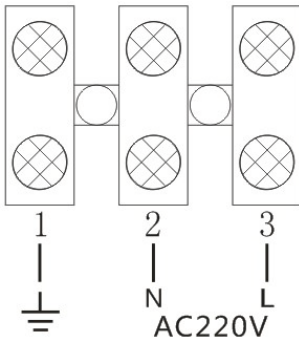




Mounting dimension (Unit:mm)



Wiring diagram


Applications

Specially design for all kinds of hoisting machinery (tyre crane, crawler crane, overhead traveling cranes, etc.), harbors machinery(gantry cranes, bridge crane, etc), Plant (electrotechnical box), metallurgies, chemical industry, coalmines and marine etc.

Main functions and features

- Aluminum enclosure, with good appearance and corrosion resistance and good sealed performance,with good water-proof and dust-proof.
- Industrial grade microchip design, integrate various sound, client easy select different tone suit for different application.
- PC housing—UV resistance, high transmittance, anti-aging and impact resistance.
- Professional optical design and vacuum Reflector improves the diffusion of the signal beam greatly.
- Volume adjustable, easy to install
- Housing uses seal ring for waterproof, easy to assemble and disassemble.
- Professional sound cavity design

Specifications

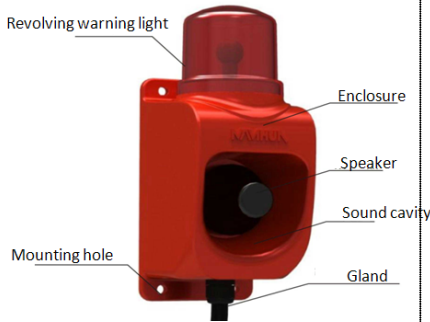
Operating voltage	AC24V/AC36V/AC110V/AC220V /AC380V+10% (can be customized)	Frequency	50Hz ~ 60Hz
Tone	A/B/E/D (16 kinds for optional)	Speaker power	50W-75W
Color	Red, yellow (optional)	Sound level	>115dB
Alarm method	Audio and visual alarm synchronous	Light source	Revolving Light
Operating temperature:	-30°C ~ +70°C	IP rating	IP65
Humidity	10% ~ 95% (no condensing)	Material	Aluminum
Weight	≤8Kg		

Installation and Operation

- Check whether the operating voltage complies with the rated voltage of the siren
- Secure the siren body on a smooth surface with enough mechanical strength using 4 Nos. M8 screws.
- Unfasten two screws on the nameplate and remove the cover, then terminals appear; connect wires to terminals through the gland.
- Rotate potentiometer to adjust volume, suggest to use 10~15dB higher sound level than working area noise.
- Please refer to "Tone selection table" to adjust warning tone, use DIP switch to select suitable tone, suggest to turn-off power before selecting tones.
- Verify the connections of the power line and control lines before power on.

Volume adjustable

Remove nameplate and rotate potentiometer to adjust volume, clockwise to increase volume; counter-clockwise to decrease volume



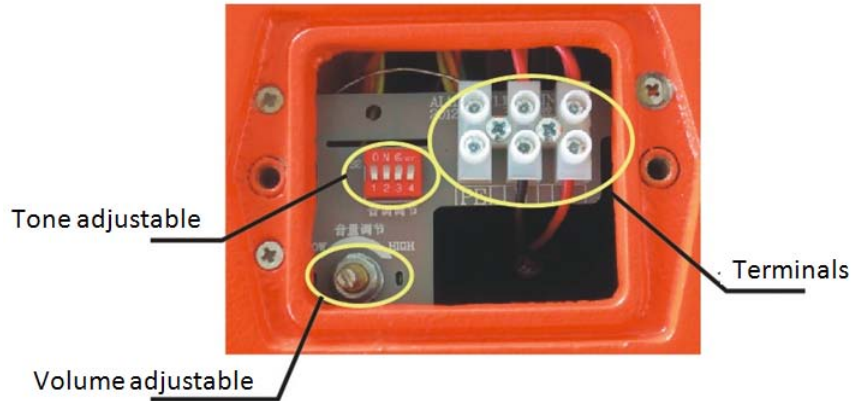
Application



Tone selection

Remove nameplate and adjust DIP switch to select tones, please refer to "Tone selection table", "ON" position is "0", "1234" position is "1".

Operation diagram



16 kinds Tone selection table:

code	Frequency Hz	code	Frequency Hz
0000	Tone A	1000	Air raid warning
0001	Tone B	1001	Marine fire alarm(200-600Hz)
0010	Tone E	1010	Telephone ring
0011	Tone D (T=1S)	1011	Europe alarm
0100	Tone Y (800Hz)	1100	Radar alarm (T=1.25ms)
0101	Siren	1101	Air alarm (T=1.25ms)
0110	Engining tone (T=0.5S)	1110	Radar alarm (T=1.18ms)
0111	Tone F	1111	Aloha tone

Note:

- 1. The part of material of products is PC(like lamp cover and lamp shell), so it cannot direct or indirect touch the organic solvent, such as industrial alcohol, banana oil, isopropyl alcohol, carbon tetrachloride, cyclohexanone and so on, otherwise, the product will be corrosion.
- 2. Do not install the bell facing up to avoid accumulation of water.
- 3. Suggest to turn-off power before selecting tones, don't touch terminals avoid be electrocuted
- 4. To avoid water ingress, please fasten screws of nameplate after wiring,
- 5. Any problem during operation, please contact with us.